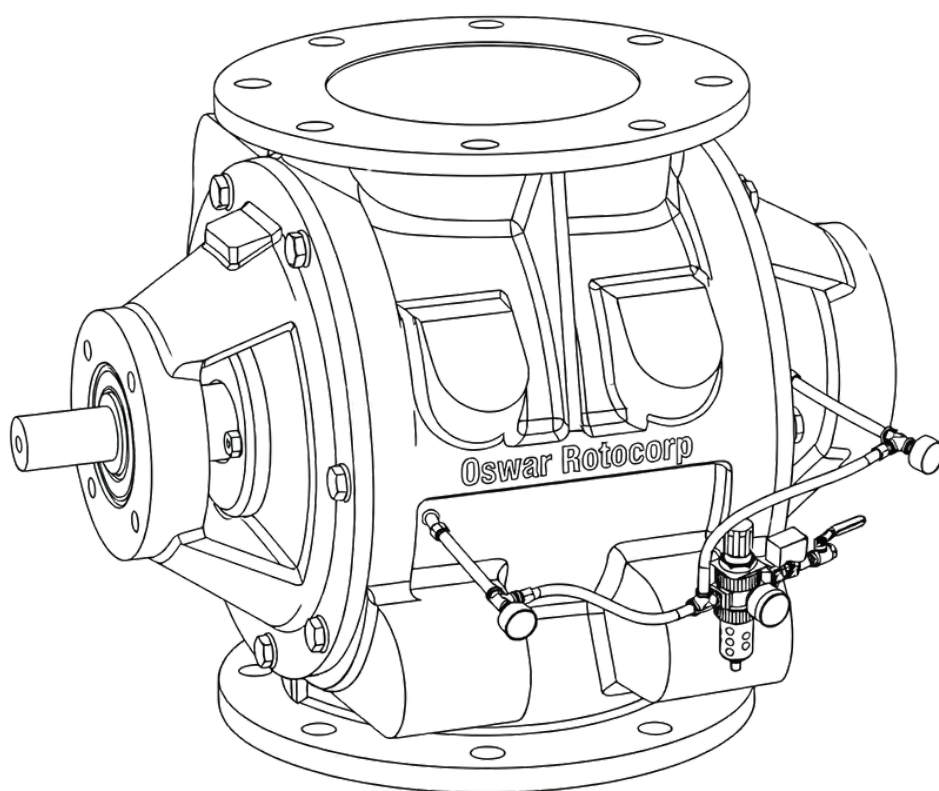



STEEL INDUSTRY SOLUTIONS

ROBUST EQUIPMENT FOR CONTINUOUS
STEEL PLANT PERFORMANCE



OSWAR
rotocorp



Oswar Rotocorp provides specialized flow control and bulk material handling solutions tailored for integrated steel plants and processing units. Steel manufacturing environments involve high temperatures, abrasive dust, and continuous-duty operations requiring reliable and durable equipment.

From raw material handling and coal injection systems to dust extraction and slag management, our engineered solutions ensure controlled material discharge, airlock efficiency, and operational stability.

KEY ADVANTAGES

RAW MATERIAL
HANDLING
SYSTEMS

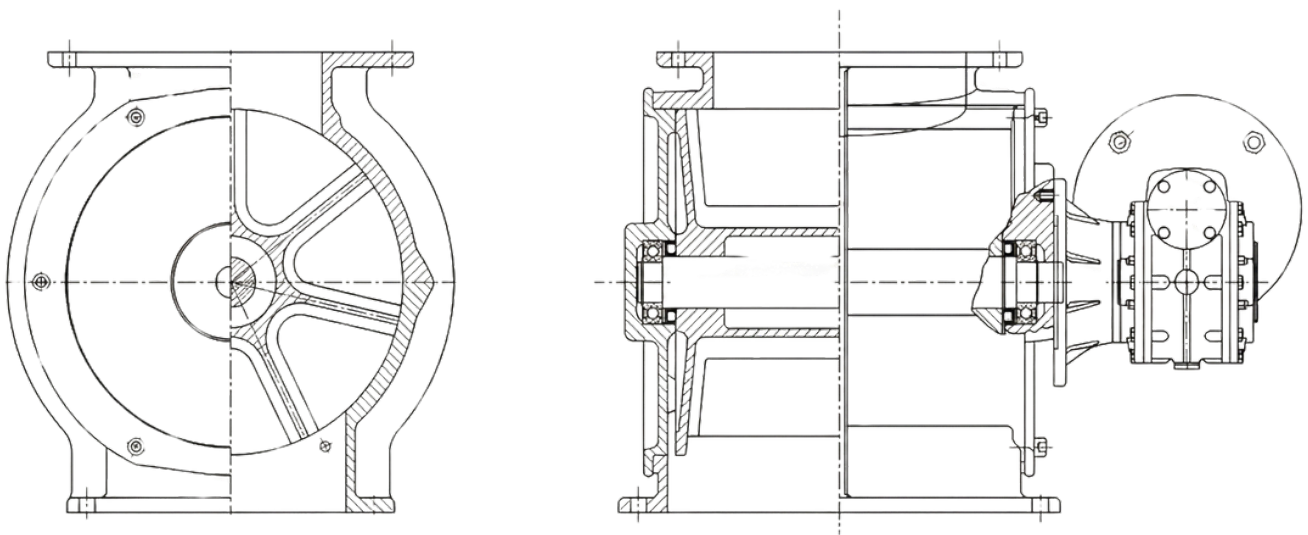
COAL & COKE
HANDLING

BLAST FURNACE &
DRI SYSTEMS

SLAG & HOT
MATERIAL
DISCHARGE

BUILT FOR HEAT, DUST & CONTINUOUS LOAD

Steel industry applications demand equipment capable of handling high temperatures, metallic dust, and abrasive bulk materials. Our solutions are constructed using reinforced housings, heat-resistant sealing systems, and heavy-duty rotating assemblies. Precision-machined Rotary Valves provide stable discharge and efficient airlock performance in dust collection and pneumatic conveying systems. Wear-resistant liners, thermal-resistant components, and robust bearing protection systems ensure reliable operation under demanding plant conditions.

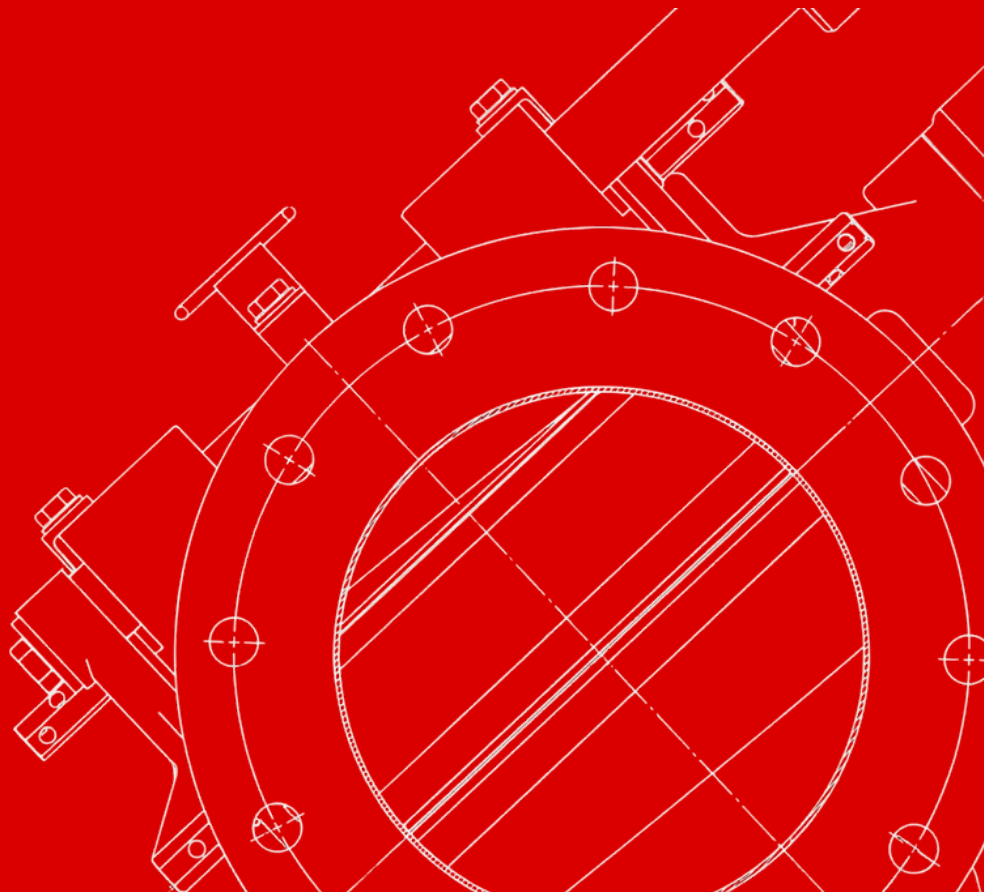


ENGINEERING FEATURES

- Heavy-Duty Rotary Valves for Dust & Powder Handling
- High-Temperature Rotary Valves for Furnace Applications
- Slide Gate Valves for Silo & Hopper Isolation
- Diverter Valves for Multi-Line Routing
- Flap Valves / Gravity Gates for Dust Systems
- Pneumatic Pressure Rotary Valves for Material Conveying

SUPPORTING EFFICIENT STEEL PRODUCTION

- Improved Dust Discharge Efficiency
- Reduced Air Leakage in Pneumatic Systems
- High-Temperature Resistance
- Extended Equipment Durability
- Lower Maintenance Frequency
- Stable Operation Under Continuous Load



OSWAR

rotocorp

Corporate Office

Jaipur, Rajasthan India
Nagpur, Maharashtra India

Sales Inquiries

info@oswarrotocorp.com

Helpline

[+44 7917 128505](tel:+447917128505) | +91 77422 36474

Copyright © 2026 OSWAR ROTOCORP. All Rights Reserved. OSWAR® is a registered trademark of **OSWAR ROTOCORP**. This brochure makes no offers, representations or warranties (express or implied), and information and data contained in this brochure are for general reference only and may change at any time.